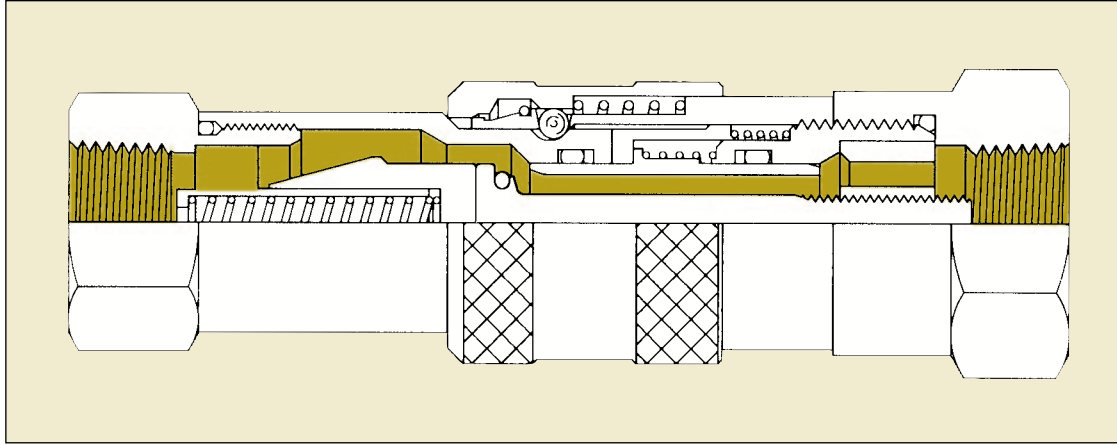


FLUSH FACE

Double Shut-Off Quick-Couplers

TOMCO Series FE

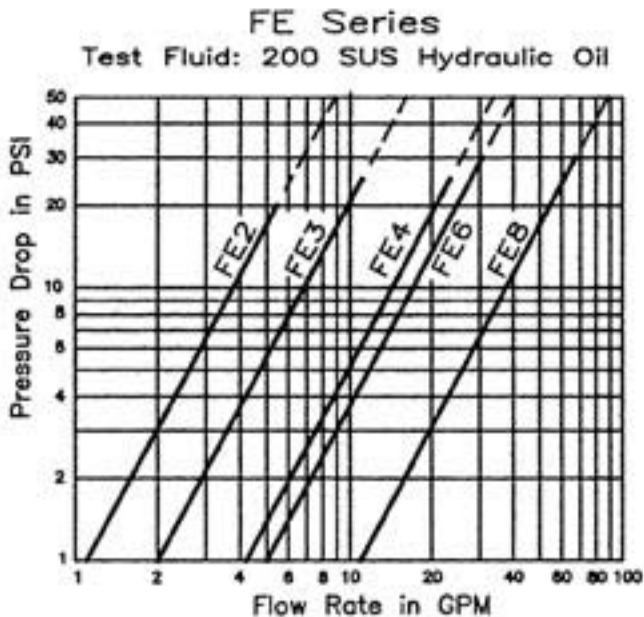


Tomco's FE Series, new generation of flush face couplers avoids many of the problems frequently experienced with other manufacturers' models of this type. The engineered coupler face-guide avoids annoying plug slip-off greatly simplifying coupling hook-up. These advanced flush face quick connects are especially useful with hydraulic hand tools and cylinders, construction equipment, mining and earth moving equipment as well as utilities' field equipment.

FE SERIES is an INTERNATIONAL interchange design intended for hydraulic service where fluid loss is undesirable. Available sizes 1/4" through 1", the Tomco **FE SERIES** is constructed of high strength anti-corrosion materials throughout. Steel components are hardened at all wear points and are heavily plated for extra corrosion resistance assuring longer useful service life. All standard seals are nitrile. The FE3 size conforms to all performance and dimensional requirements of ANSI/HTMA.

SERIES FE FLOW RATE

PERFORMANCE SPECIFICATIONS



	FE2		FE3		FE4		FE6		FE8	
	Operating	Burst	Operating	Burst	Operating	Burst	Operating	Burst	Operating	Burst
COUPLED	4,000	15,000	3,000	12,000	3,000	12,000	3,000	22,000	3,000	19,000
PLUG	4,000	11,500	3,000	12,000	3,000	12,000	3,000	11,000	3,000	11,000
COUPLER	4,000	7,000	3,000	12,000	3,000	12,000	3,000	6,250	3,000	7,250
RATED FLOW	5 GPM @ 20PSI ΔP		10 GPM @ 25PSI ΔP		21 GPM @ 25PSI ΔP		27 GPM @ 30PSI ΔP		55 GPM @ 30PSI ΔP	
SPILLAGE PER DISCONNECT	.015 ML		.015 ML		.020 ML		.150 ML		.200 ML	
INCLUSION PER CONNECT	.020 ML		.020 ML		.070 ML		.100 ML		.100 ML	

DUST CAPS (PLASTIC)



TOMCO dust caps prevent contamination of disconnected fluid system. They prevent the introduction of dirt, grit, and other contaminants into the system through the series FE components.

BODY SIZE	CAP FOR PLUG	CAP FOR COUPLER
3/8"	FP3DC	5606DSC

TOMCO DOUBLE SHUT-OFF FLUSH FACE

SERIES FE

INTERNATIONAL INTERCHANGE ISO 160.28

Working Range:
See performance rating chart and
flow graph. **page 14**

Temperature: -40° to +225° F



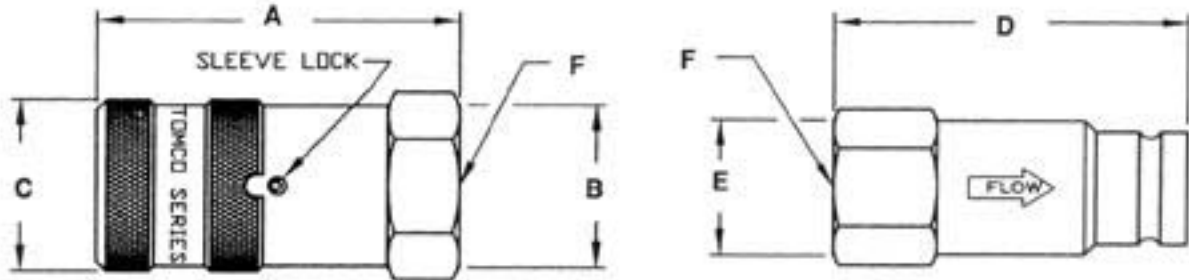
PLUG



AUTOMATIC COUPLER

FE2	Basic Size INCH ISO/MM	Female Thread	Plug Catalog No.	Coupler Catalog No.
	1/4" 6.3 MM	1/4" NPTF	EP2-16	EC2-16
FE3				
	3/8" 10 MM (HTMA)	3/4"-16 UNF (ORB) 3/8" NPTF 1/2" NPTF	EP3-8 EP3-21 EP3-26	EC3-8 EC3-21 EC3-26
FE4				
	1/2" 12.5MM	1-1/16"-12UN (ORB) 1/2" NPTF 3/4" NPTF	EP4-12 EP4-26 EP4-31	EC4-12 EC4-26 EC4-31
FE6				
	3/4" 16 MM	3/4" NPTF	EP6-31	EC6-31
FE8				
	1" 19MM	1" NPTF	EP8-36	EC8-36

Contact factory for specifications and drawings.



COUPLER NO.	A OAL	B HEX	C DIA.	PLUG NO.	D OAL	E HEX	F THD
EC2-16	1.90	7/8" HEX	1.11	EP2-16	1.90	7/8" HEX	1/4" NPT
EC3-8	2.73	1-1/8" HEX	1.20	EP3-8	2.75	1-1/16" HEX	3/4"-16 UNF
EC3-21	2.53	1-1/8" HEX	1.20	EP3-21	2.56	15/16" HEX	3/8" NPT
EC3-26	2.92	1-1/8" HEX	1.20	EP3-26	2.88	1-1/8" HEX	1/2" NPT
EC4-12	3.44	1-3/8" HEX	1.53	EP4-12	3.13	1-3/8" HEX	1-1/16"-12 UN
EC4-26	3.19	1-3/8" HEX	1.53	EP4-26	2.88	1-1/4" HEX	1/2" NPT
EC4-31	3.31	1-3/8" HEX	1.53	EP4-31	3.00	1 3/8" HEX	3/4" NPT
EC6-31	3.20	1-25/32" HEX	1.65	EP6-31	2.78	1-25/32" HEX	3/4" NPT
EC8-36	3.67	1-13/16" HEX	1.90	EP8-36	3.25	1-13/16" HEX	1" NPT

TOMCO DOUBLE SHUT-OFF FLUSH FACE

3/8" BASIC SIZE

Series FF Working Range:
Maximum Operating Pressure:
10,000 psig.
(Burst pressure: 30,000 psig)
Rated Flow Capacity: 10 GPM
Temperature Range: -40° to
+225°F
Both plug and coupler must be
Tomco Products Series FF.



PLUG



AUTOMATIC COUPLER

SERIES FF

WORKING PRESSURE: 10,000 PSI

SERIES FF is a 10,000 PSI working pressure design intended for high pressure hydraulic cylinder service. This rugged design is manufactured of high strength hardened and tempered alloy steel components. Dimensional and flow specifications are the same as Series FE3. For data and flow graph see pg. 14.

Female Thread	Plug Catalog No.	Coupler Catalog No.
3/8" NPTF	FP3-21	FC3-21
1/2" NPTF	FP3-26	FC3-26

Series FS Working Range:
Maximum Operating Pressure:
2,000 psig.
(Burst pressure: 12,000 psig)
Rated Flow Capacity: 10 GPM
Temperature Range: +20° to
+400°F (With std. Viton seals)
Both plug and coupler must be
Tomco Products Series FS.

SERIES FS

316 STAINLESS STEEL: 2,000 PSI

DUST CAPS (PLASTIC)



CAP

TOMCO dust caps prevent contamination of disconnected fluid system. They prevent the introduction of dirt, grit, and other contaminants into the system through the Series FF components.



PLUG



AUTOMATIC COUPLER

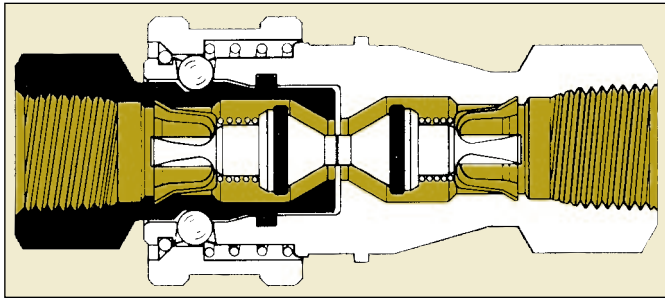
BODY SIZE	CAP FOR PLUG	CAP FOR COUPLER
3/8"	FP3DC	5606DC

SERIES FS is all 316 stainless steel construction with standard Viton seals and is rated for pressures up to 2,000 PSI. This high flow corrosion resistant design is ideal for those chemical process and fluid transfer applications where spillage is undesirable. Sleeve locks and carbide locking balls are available as options, as well as a wide assortment of seal materials including Kalrez.

Female Thread	Plug Catalog No.	Coupler Catalog No.
3/8" NPTF	FP3-21-316	FC3-21-316

Double Shut-Off Quick-Couplers

TOMCO Series THK



TOMCO Series THK quick-couplers have fast-acting poppet valves in both the plug and coupler to effectively prevent fluid loss on disconnect.

Industry terminology for the THK series is "hydraulic couplings". However, they also find wide application on vacuum systems, steam, liquid, gases and other installations where fluid loss during connection or disconnection is undesirable.

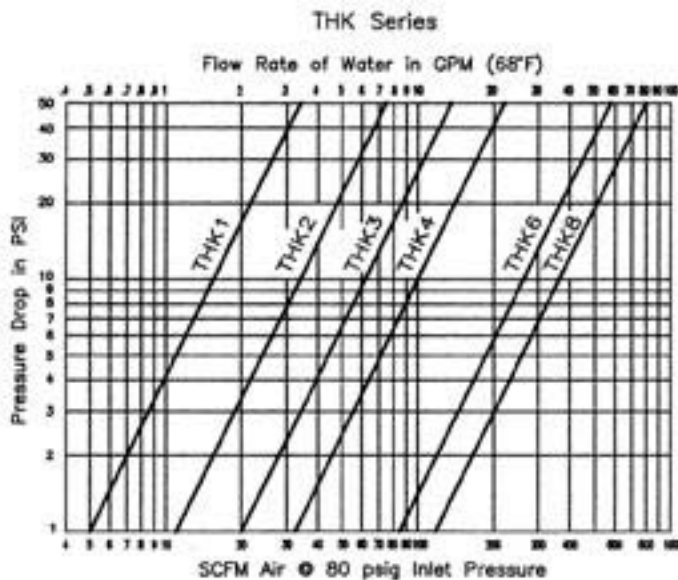
This superior quality line of quick-couplers is precision machined from solid bar stock for maximum wall strength. They are hardened at all points of extra stress and wear.

All interior THK components are corrosion resistant; manufactured of carefully selected materials to assure long, trouble-free, service life. Standard seals are Buna-N. Other materials are readily available to meet requirements of specific fluids and applications.

TOMCO's ball-locking mechanism is engineered for even load distribution; assures positive alignment, and allows hose-protecting swivel action. A sleeve locking option prevents accidental uncoupling in use.

Series THK quick-connects bring the user a unique combination of advantages including: high flow rate, low pressure drop, choice of body material, interchangeability with all leading industrial couplers, long service-free performance.

FLOW RATE



* The above ratings were established under standard conditions. High cycling rates, high amplitude shocks, etc. can affect the unit's service life negatively, even though pressures are within the coupler's rated range.

WORKING PRESSURE (PSI)/FLOW*

Size	Max. Flow GPM	Steel	Brass	Stainless
1/8"	1	5,000	1,000	2,000
1/4"	3	5,000	1,000	2,000
3/8"	6	4,000	1,000	1,500
1/2"	12	4,000	1,000	1,500
3/4"	28	2,500	1,000	1,500
1"	50	2,000	1,000	1,500

BURST STRENGTH (PSI)*

Size	Steel	Brass	Stainless
1/8"	21,000	9,000	20,000
1/4"	20,000	12,000	15,000
3/8"	18,000	9,000	12,000
1/2"	16,000	14,000	17,000
3/4"	9,000	8,000	11,000
1"	8,000	6,000	7,000

DUST CAPS AND PLUGS (Brass)

Tomco dust caps and plugs prevent contamination of disconnected fluid systems. They prevent the introduction of dirt, grit, and other contaminants into the system through the Series THK component.



SIZE	DUST CAP	DUST PLUG
THK 1	TK1D	TH1D
THK 2	TK2D	TH2D
THK 3	TK3D	TH3D
THK 4	TK4D	TH4D
THK 6	TK6D	TH6D
THK 8	TK8D	TH8D

TOMCO DOUBLE SHUT-OFF

SERIES THK ISO "B" INDUSTRIAL INTERCHANGE ISO "B"

Working Range: See Pressure Rating Chart on Page 17
Temperature: -40° to +225° F
Pressure Drop: See Graph on Page 17
Standard Seals: Nitrile



PLUG



MANUAL COUPLER

STEEL	Catalog No.	Catalog No.
1/8"	TK1-11	TH1-11
1/4"†	TK2-16	TH2-16
3/8"†	TK3-21	TH3-21
1/2"†	TK4-26	TH4-26
3/4"†	TK6-31	TH6-31
1"	TK8-36	TH8-36
BRASS		
1/8"	TK1-11-002	TH1-11-002
1/4"†	TK2-16-002	TH2-16-002
3/8"†	TK3-21-002	TH3-21-002
1/2"†	TK4-26-002	TH4-26-002
3/4"†	TK6-31-002	TH6-31-002
1"†	TK8-36-002	TH8-36-002
STAINLESS STEEL (303)		
1/8"	TK1-11-303	TH1-11-303
1/4"†	TK2-16-303	TH2-16-303
3/8"†	TK3-21-303	TH3-21-303
1/2"†	TK4-26-303	TH4-26-303
3/4"†	TK6-31-303	TH6-31-303
1"	TK8-36-303	TH8-36-303

SLEEVE LOCK OPTION (see price list): Specify by adding suffix SL to the coupler catalog number.

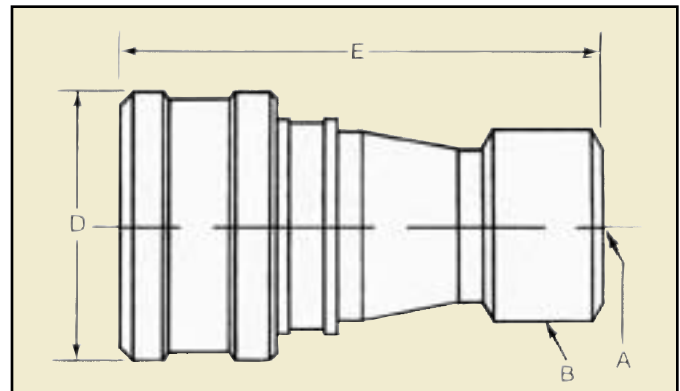
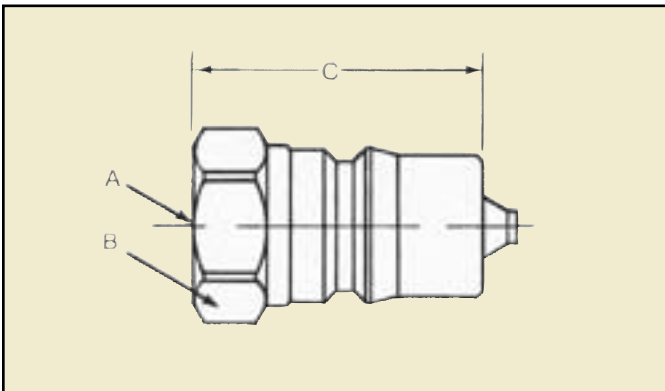
MATERIALS OF CONSTRUCTION

Steel Series: Zinc plated steel, stainless steel springs, chrome steel locking balls

Brass Series: Machined brass w/300 stainless locking balls and stainless steel springs

Stainless Series: All metal components manufactured from 303 stainless steel

	A FEMALE PIPE THRD	B ACROSS FLATS	C PLUG LENGTH	D SLEEVE DIA.	E COUPLER LENGTH	F OVER ALL LENGTH COUPLED POSITION
THK1	1/8" NPTF	9/16 ^(.560)	1.17	.99	1.91	2.35
THK2	1/4" NPTF	3/4 ^(.750)	1.40	1.18	2.27	2.84
THK3	3/8" NPTF	7/8 ^(.875)	1.50	1.41	2.50	3.05
THK4	1/2" NPTF	1-1/8 ^(1.13)	1.84	1.85	2.93	3.71
THK6	3/4" NPTF	1-5/16 ^(1.31)	2.16	2.21	3.56	4.33
THK8	1" NPTF	1-5/8 ^(1.63)	2.58	2.58	4.18	5.20



Double Shut-Off for Hydraulic Service

SERIES THK12 ISO "B"

INDUSTRIAL INTERCHANGE ISO "B"

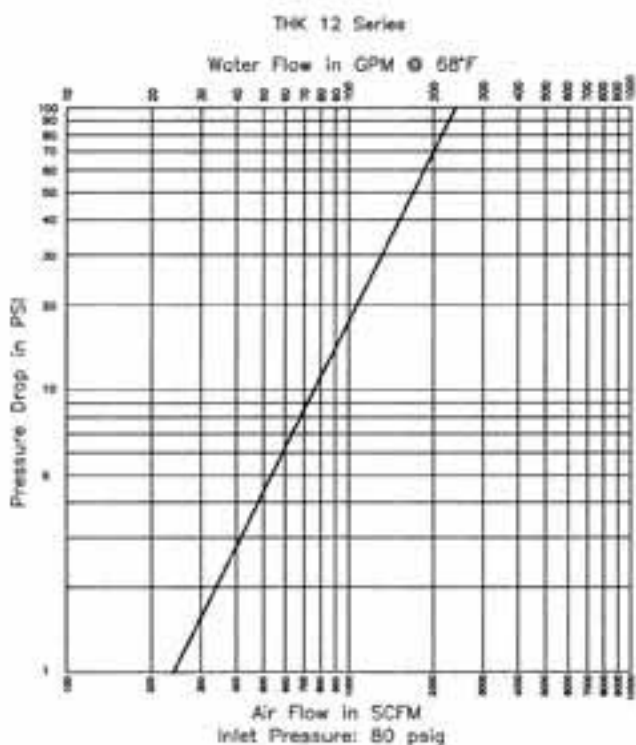
TOMCO Series THK12 couplers are ideal for large volume hydraulic return lines and other high volume fluid transfer applications. To meet specific application requirements, these couplers are available in brass, steel, and 303 stainless steel.



All TOMCO Series THK12 couplers feature double o-rings and heavy-duty construction throughout. Steel sleeves and plugs are heat treated and heavily plated for superior corrosion resistance.

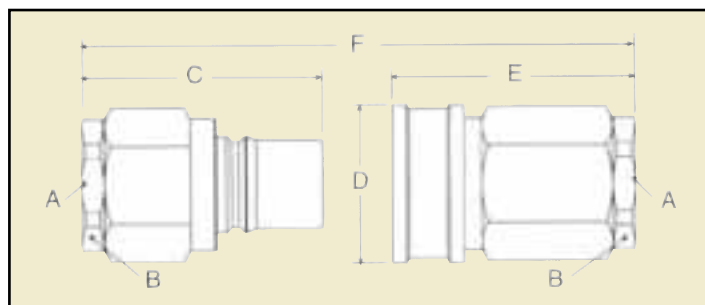
STEEL	Basic Size	Thread	Plug Catalog No.	Coupler Catalog No.
	1-1/2"	1-1/4" NPTF	TK12-41	TH12-41
	1-1/2"	1-1/2" NPTF	TK12-46	TH12-46
BRASS				
	1-1/2"	1-1/4" NPTF	TK12-41-002	TH12-41-002
	1-1/2"	1-1/2" NPTF	TK12-46-002	TH12-46-002
STAINLESS STEEL (303)				
	1-1/2"	1-1/4" NPTF	TK12-41-303	TH12-41-303
	1-1/2"	1-1/2" NPTF	TK12-46-303	TH12-46-303

FLOW RATE



PRESSURE RATINGS

Basic Size	Material	Working Pressure (PSI)	Burst Strength (PSI)
1-1/2"	Steel	1,500	6,000
	Brass	1,500	4,000
	Stainless	1,500	6,000



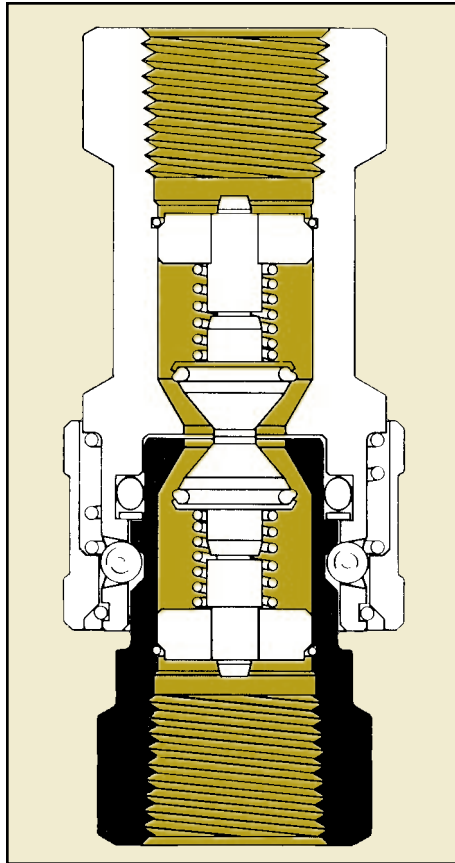
DIMENSIONS All dimensions are in inches.

A Thread	B Across Flats	C Plug OAL	D Sleeve Dia.	E Coupler OAL	F OAL Coupled
1-1/4" NPTF	2.38	4.77	3.13	4.82	7.52
1-1/2" NPTF	2.38	4.77	3.13	4.82	7.52

Continuing manufacturing and engineering advances may cause changes to the data shown.

Double Shut-Off General Purpose

TOMCO Series A5600



TOMCO Series A5600 quick-couplers offer the product designer and processing engineer a full choice of interchangeable units with valving to exactly suit functional requirements without unnecessary costs.

These "general purpose" quick-couplers are engineered for a full range of hydraulic applications.

Both couplers and plugs are precision machined from solid steel bar stock for maximum strength. They are hardened at critical stress/wear points and are heavily plated.

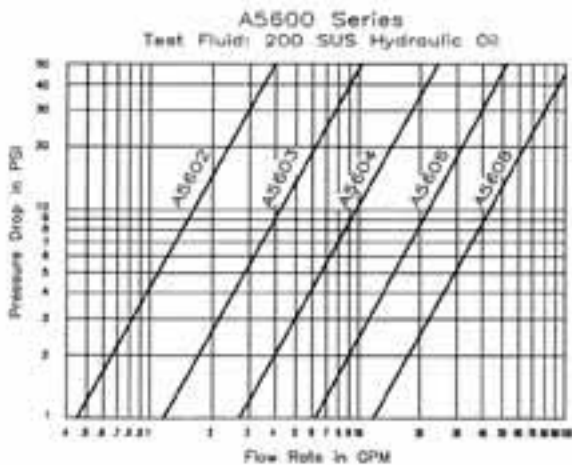
All interior Series A5600 components are manufactured of carefully selected materials to assure long, trouble-free, service life. Standard seals are Buna-N. Other materials are readily available to meet the specific requirements of various fluids and applications.

TOMCO's ball-locking mechanism provides even load distribution, assures positive alignment and provides hose-protecting swivel action.

Series A5600 quick connects bring the user an unusual combination of advantageous features including: high flow rate, low pressure drop, interchangeability with all leading "general purpose" couplers and superior trouble-free performance.

TOMCO Series A5600 meets, or exceeds, ISO 7241-1, Series "A" specifications.

FLOW RATE



PRESSURE RATINGS/FLOW GPM

SIZE	MAX. FLOW	WORKING PRESSURE		BURST STRENGTH	
		psi	bar	psi	bar
1/4"	3	5,000	345	15,000	1034
3/8"	6	4,000	276	12,000	827
1/2"	12	4,000	276	12,000	827
3/4"	28	4,000	276	12,000	827
1"	50	4,000	276	12,000	827

* The above ratings were established by carefully controlled laboratory tests including burst tests and multiple-cycle impulse tests. Uncontrollable field conditions such as: rapid cycling rates, high amplitude shocks, etc. can affect the unit's service-life negatively, even though pressures are within the coupler's rated range.

(ISO "A") Couplers

TOMCO

DOUBLE SHUT-OFF

SERIES A5600

GENERAL PURPOSE ISO "A"

HEAVY DUTY PLUGS AVAILABLE. SEE CATALOG NUMBERS BELOW PLUG PICTURE.

Working Range: See Pressure Rating Chart on Page 20
Temperature: -40° to +225°F
Pressure Drop: See Graph on Page 20



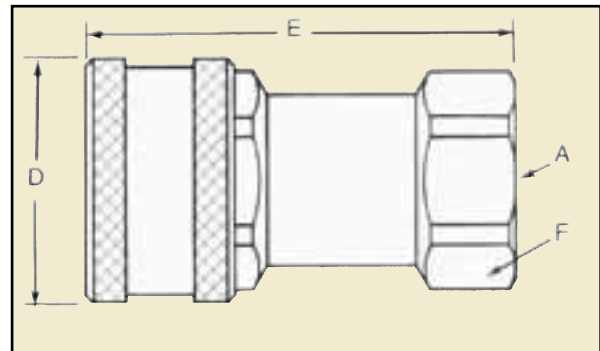
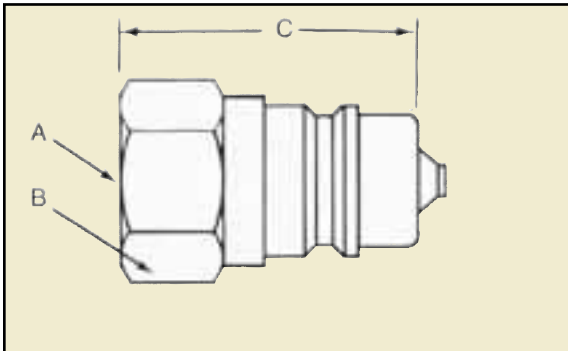
PLUG



MANUAL COUPLER

*Heavy duty plugs are manufactured from high-strength steel and induction hardened. They are ideal for high cycling applications.

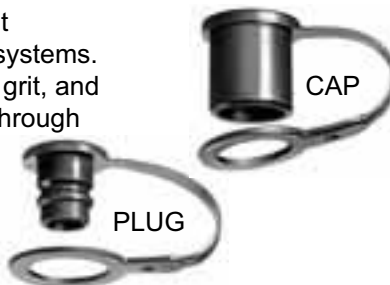
		Catalog No.	Catalog No.	Catalog No.
BASIC SIZE	THREAD SIZE	STANDARD PLUG	HEAVY DUTY PLUG*	COUPLER
1/4"	1/4"-18 NPTF	PA5602-16	-	CA5602-16
3/8"	3/8"-18 NPTF	PA5603-21	-	CA5603-21
1/2"	3/4"-16 UNF	PA5604-8 (ORB)	-	CA5604-8 (ORB)
1/2"	7/8"-14 UNF	PA5604-10 (ORB)	-	CA5604-10 (ORB)
1/2"	1/2"-14 NPTF	PA5604-26	PA5604-26HD	CA5604-26
1/2"	3/4"-14 NPTF	PA5604-31	-	CA5604-31
3/4"	3/4"-14 NPTF	PA5606-31	PA5606-31HD	CA5606-31
1"	1"-11 1/2 NPTF	PA5608-36	PA5608-36HD	CA5608-36



SERIES NUMBER	A BASIC SIZE	B ACROSS FLATS	C PLUG LGTH.	D SLEEVE DIA.	E COUPLER LGTH.	F ACROSS FLATS	G COUPLED O.A.L.
A5602	1/4"	.75	1.27	1.08	1.83	.88	2.55
A5603	3/8"	.88	1.40	1.26	2.09	1.06	2.80
A5604	1/2"	1.06	1.82	1.52	2.70	1.25	3.63
A5606	3/4"	1.38	2.29	1.90	3.36	1.63	4.61
A5608	1"	1.63	2.58	2.15	3.97	1.88	5.30

DUST CAPS AND PLUGS (PLASTIC)

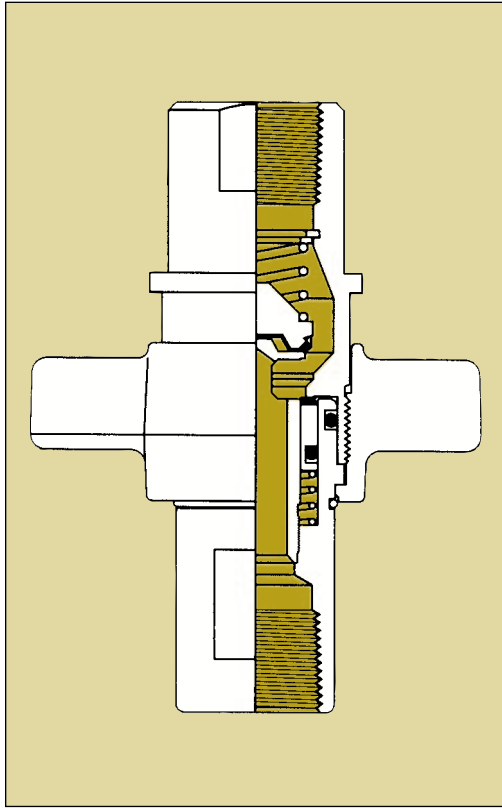
TOMCO dust caps and plugs prevent contamination of disconnected fluid systems. They prevent the introduction of dirt, grit, and other contaminants into the system through the Series A5600 components.



SIZE	DUST CAP	DUST PLUG
1/4"	5602DC	5602DP
3/8"	5603DC	5603DP
1/2"	5604DC	5604DP
3/4"	5606DC	5606DP
1"	5608DC	5608DP

Thread-to-Connect Under Pressure

TOMCO Series A5100



Couple Under Pressure

TOMCO Series A5100 quick-couplers are engineered to provide the extra assembly forces required to make or break connection against trapped or active hydraulic pressures up to 500 psig.

Easier to Connect

Integral "hammer-wings" on the steel coupler sleeve transmit required assembly force. Wrench flats are also provided on both the plug and the coupler for final tightening if needed. Added mechanical advantage is supplied by the connecting threads on the plug and coupler.

Space Saving Hex Nut

When assembly in close spaces precludes the use of "wings", an alternate, space saving hex nut driven coupler is available.

Extra Design Features

Series A5100 is designed to meet the extra strength and endurance requirements of roust-about usage under tough environments. Features include: precision machined anti-corrosion brass bodies, cast steel coupler sleeves, stainless steel springs, brass valves with tubular tempered steel stems, and bonded Nitrile seals.

Visual Coupling Guide

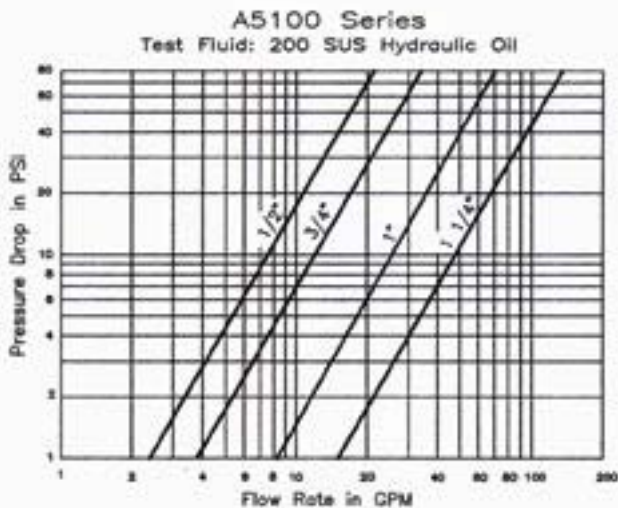
Visual proof of proper connections is afforded by an incised groove on all Series A5100 plugs. When the coupler sleeve is assembled flush against the groove on the plug, the connection is completed. The operator is thus assured that the poppets are fully open and maximum operating efficiency has been achieved.

Dust Caps and Plugs (Brass)

TOMCO dust caps and plugs prevent contamination of disconnected fluid systems. They prevent the introduction of dirt, grit and other contaminants into the system through the Series A5100 components.

TOMCO bulkhead mounting of flanges are also recommended where such installation is planned. See page 23.

FLOW RATE



PRESSURE RATINGS

HOSE I.D.	WORKING PRESSURE (PSI)	BURST STRENGTH (PSI)
3/4"	3,000	9,000
1"	3,000	9,000
1-1/4"	2,750	8,250

Disconnected burst strength of plugs 51P-20 and 51PF-20 is 7,500 psig.

Quick-Connects

TOMCO

DOUBLE SHUT-OFF

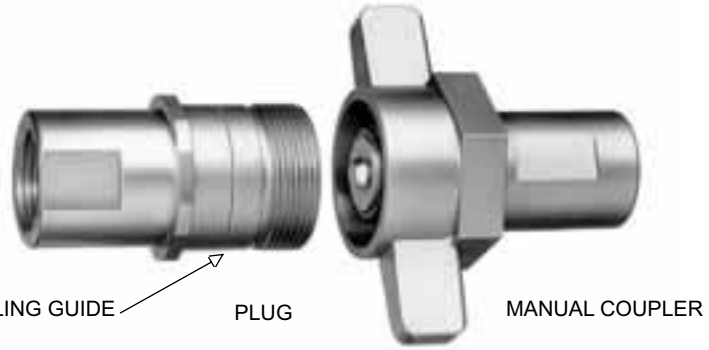
SERIES A5100

COUPLE UNDER PRESSURE

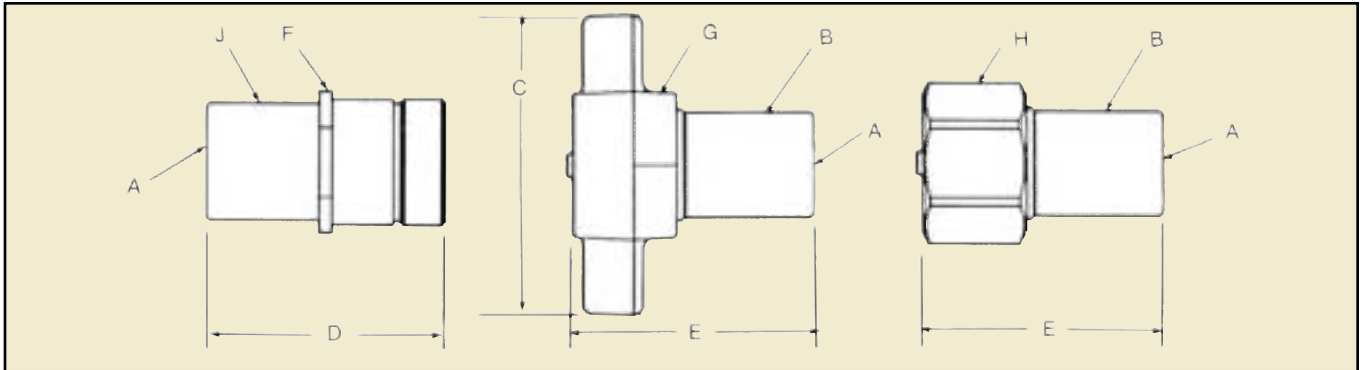
Working Range:
 Maximum Operating Pressure;
 See Pressure Chart on Page 22
Temperature: -40° to +225°F
Standard Seals: Bonded Nitrile

SUITEABLE FOR COUPLING AND UNCOUPLING AT PRESSURES UP TO 500 PSIG.

VISUAL COUPLING GUIDE
 See Page 22



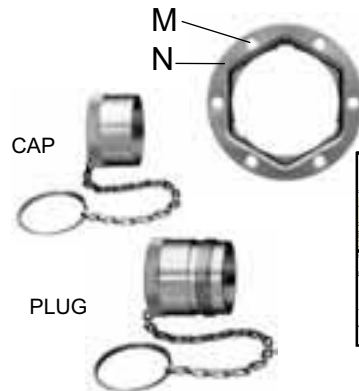
Catalog No.				Catalog No.	
SIZE	THREAD	PLUG W/O FLANGE	PLUG W/ FLANGE	COUPLER W/"WINGS"	COUPLER W/ HEX NUT
3/4"	1/2" NPTF	51P-8	51PF-8	51W-8	51H-8
3/4"	3/4" NPTF	51P-12	51PF-12	51W-12	51H-12
1"	1" NPTF	51P-16	51PF-16	51W-16	51H-16
1-1/4"	1-1/4" NPTF	51P-20	51PF-20	51W-20	51H-20



BODY SIZE	A FEMALE PIPE THREAD	B ACROSS FLATS	C ACROSS "WINGS"	D PLUG LENGTH	E COUPLER LENGTH	F PLUG HEX	G COUPLER HEX	H COUPLER HEX	J ACROSS FLATS
3/4"	1/2" NPTF	1.16	4.06	3.12	3.09	1.63	1.81	1.750	1.19
3/4"	3/4" NPTF	1.16	4.06	3.12	3.09	1.63	1.81	1.750	1.19
1"	1" NPTF	1.44	4.40	3.55	3.68	1.88	2.25	2.125	1.56
1-1/4"	1-1/4" NPTF	1.88	5.20	3.72	3.98	2.13	2.625	2.500	1.88

DUST CAPS AND PLUGS (Brass)

BODY SIZE	DUST CAP	DUST PLUG
3/4"	51DC-12	51DP-12
1"	51DC-16	51DP-16
1-1/4"	51DC-20	51DP-20



BULKHEAD FLANGE

BODY SIZE	FLANGE	M MOUNTING HOLE	N HOLE CTR. CIRCLE DIA.
3/4"	51F-12	.201	2.12
1"	51F-16	.201	2.38
1-1/4"	51F-20	.201	2.62

TOMCO Double Shut-Off 10,000 PSI

SERIES JC

HIGH PRESSURE

TOMCO Series JC is a premium quality, high pressure coupling designed for hydraulic ram service up to 10,000 psi. The TOMCO JC Series incorporates unique high flow tempered steel poppet valves which produce 50% less pressure loss than ball check types. Series JC couplers are manufactured from high strength stress relieved steel and are heavily plated for superior corrosion resistance and include specially designed custom nitrile valve seals and polyurethane coupler o-rings. The threaded screw-together design may be coupled by hand at pressures up to 1,000 psi. The sleeve wrench pads aid in breaking tight connections.



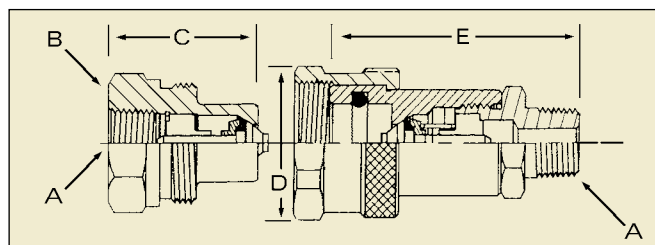
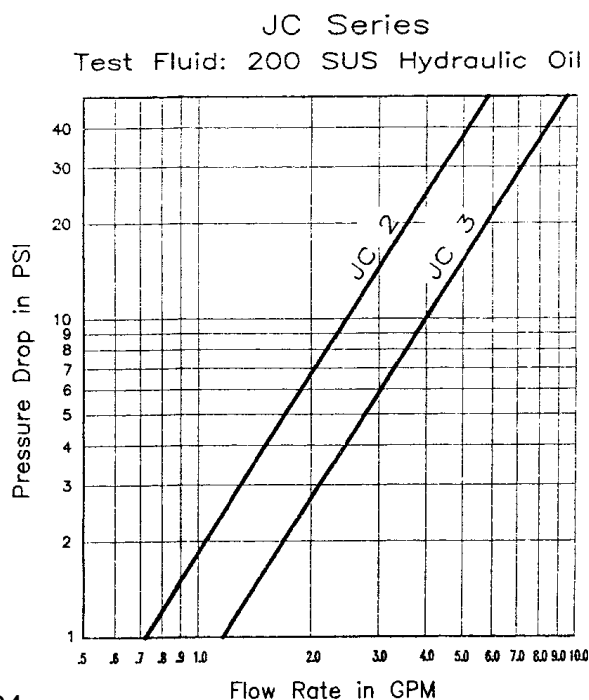
PLUG

COUPLER

Series	Thread	Plug Catalog No.	Thread	Coupler Catalog No.
JC2	1/4" NPTF-Female	JP2-16	1/4" NPTF-Male	JC2-15
JC3	3/8" NPTF-Female	JP3-21	3/8" NPTF-Male	JC3-20

PERFORMANCE SPECIFICATIONS

	JC2	JC3
RATED OPERATING PRESSURE:	10,000 PSIG	10,000 PSIG
BURST PRESSURE:	30,000 PSIG	27,000 PSIG
RATED FLOW:	3 GPM	6 GPM
TEMPERATURE RANGE WITH STANDARD SEALS:	-40° TO +180° F	



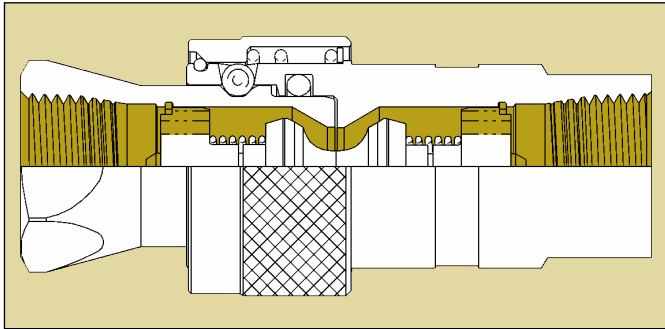
SERIES NUMBER	A THREAD	B HEX	C LENGTH	D SLEEVE	E LENGTH	F=O.A.L. COUPLED
JC2	1/4" NPTF	1.13	1.33	1.13	2.36	2.94
JC3	3/8" NPTF	1.25	1.25	1.38	2.57	3.11

Combination Dust Plugs and Caps	
Body Size	Combination Plug/Cap Number
1/4"	JC2-DCP
3/8"	JC3-DCP



Double Shut-Off for Hydraulic Service

TOMCO Series PC General Purpose Couplers



TOMCO Series PC leak tight hydraulic couplers combine a rugged, time-tested design, with advanced heavy duty valve designs and solid steel bar stock construction throughout. All major load bearing and wear components

are heat treated for rugged service and heavily plated for corrosion resistance. They are ideal for agricultural, construction, forestry, and snow plow applications.

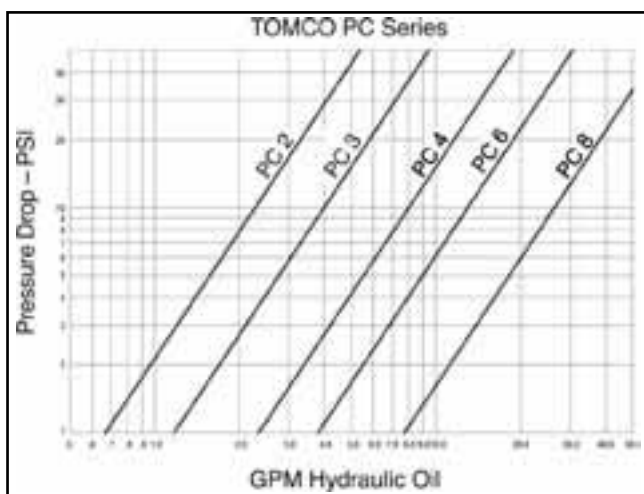
Features

- Heavy duty heat treated poppet valves are standard with rugged, specially-designed seals made of nitrile for long leak-free performance in the toughest applications. No leaky ball checks or valve seal blow-outs with TOMCO Series PC couplers.
- High-strength steel valve guides designed for high flow rates and made extra tough for agricultural and snow plow service.
- Dependable hardened chrome alloy steel locking balls.
- Heat treated plugs and sleeves.

PERFORMANCE SPECIFICATIONS

	PC2	PC3	PC4	PC6	PC8
Rated Operating Pressure	3,000 PSIG	3,000 PSIG	3,000 PSIG	3,500 PSIG	3,000 PSIG
Burst Pressure	12,000 PSIG	12,000 PSIG	12,000 PSIG	14,000 PSIG	12,000 PSIG
Rated Flow	3 GPM	6 GPM	12 GPM	28 GPM	50 GPM
Cv	.68	1.2	2.5	3.8	7.7
Temperature range with seals made of Nitrile	-40° F to +225° F				

FLOW RATE



DUST CAPS AND PLUGS (Plastic)

TOMCO dust caps and plugs prevent contamination of disconnected fluid systems. They prevent the introduction of dirt, grit, and other contaminants through Series PC components.



Size	Dust Cap	Dust Plug
1/4"	PC2DC	PC2DP
3/8"	PC3DC	PC3DP
1/2"	5604DC	5604DP

Continuing manufacturing and engineering advances may cause changes to the data shown.

Series PC

PIONEER 4000 SERIES INTERCHANGE

Double Shut-Off General Purpose Hydraulic Couplers with Hardened Steel Poppets



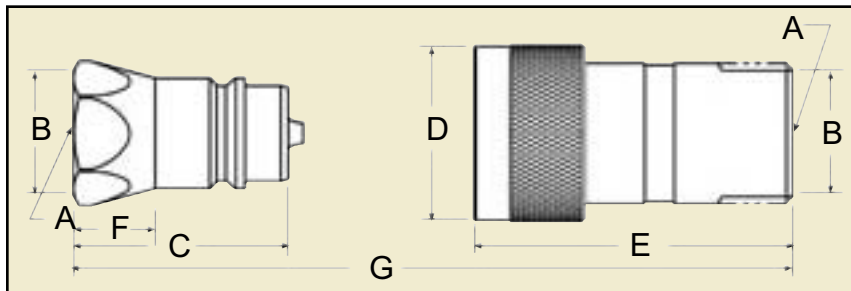
PLUG

COUPLER

SELECTION

Series	Size	Catalog No. Female Thread	Catalog No. Plug	Catalog No. Coupler
PC2	1/4"	1/4" NPTF	P2-16	C2-16
PC3	3/8"	3/8" NPTF	P3-21	C3-21
PC4 ⁽¹⁾	1/2"	3/4"-16 UNF (ORB)	P4-8	C4-8
		7/8"-14 UNF (ORB)	P4-10	C4-10
		1/2" NPTF	P4-26	C4-26
		3/4" NPTF	P4-31	C4-31
PC6	3/4"	3/4" NPTF	P6-31	C6-31
PC8	1"	1" NPTF	P8-36	C8-36

⁽¹⁾PC4 series conforms with ISO 5675 requirements for agricultural quick couplers.



DIMENSIONS All dimensions are in inches

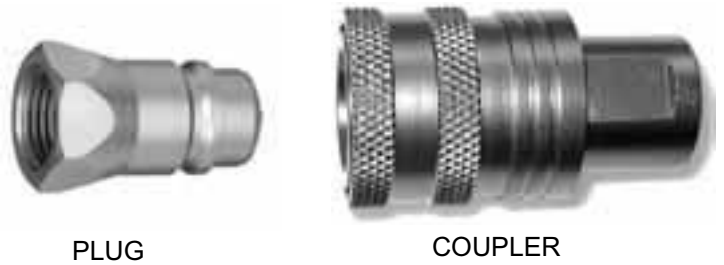
	Number	A Female Thread	B Across Flats	C Plug Length	D Sleeve Dia.	E Coupler Length	F Flat Length	G Coupled O.A.L.
Plug	P2-16	1/4" NPTF	0.75	1.30	-	-	0.57	2.56
	P3-21	3/8" NPTF	0.88	1.50	-	-	0.63	2.94
	P4-8 (ORB)	3/4"-16 UNF	1.06	1.82	-	-	0.88	3.58
	P4-10 (ORB)	7/8"-14 UNF	1.13	1.82	-	-	0.88	3.58
	P4-26	1/2" NPTF	1.06	1.82	-	-	0.88	3.57
	P4-31	3/4" NPTF	1.38	1.85	-	-	0.93	3.68
	P6-31	3/4" NPTF	1.31	2.34	-	-	0.94	4.17
	P8-36	1" NPTF	1.63	2.50	-	-	0.99	4.74
Coupler	C2-16	1/4" NPTF	0.88	-	1.06	1.99	-	2.56
	C3-21	3/8" NPTF	0.94	-	1.31	2.31	-	2.94
	C4-8 (ORB)	3/4"-16 UNF	1.06	-	1.52	2.70	-	3.58
	C4-10 (ORB)	7/8"-14 UNF	1.25	-	1.52	2.70	-	3.58
	C4-26	1/2" NPTF	1.06	-	1.52	2.70	-	3.57
	C4-31	3/4" NPTF	1.38	-	1.52	2.69	-	3.68
	C6-31	3/4" NPTF	1.38	-	1.83	3.23	-	4.17
	C8-36	1" NPTF	1.63	-	2.18	3.75	-	4.74

Continuing manufacturing and engineering advances may cause changes to the data shown.

TOMCO DOUBLE ACTING SLEEVE

Double acting sleeve fits standard agricultural mounting clamps and permits one handed operation to connect or disconnect. Tomco Series CD sleeves are heat treated and contain chrome alloy steel locking balls for superior durability. Series CD couplers include hardened steel poppet valves with rugged nitrile seals for long leak-free performance and high strength valve guides, made extra tough for agricultural, construction, and forestry service. All major load bearing and wear components are heat treated for long durable service and are heavily plated for superior corrosion resistance. Series CD couplers fit Tomco PC Series (Pioneer style) plugs and are available in 3/8" and 1/2" body sizes.

SERIES CD PIONEER INTERCHANGE



PLUG

COUPLER

SERIES	SIZE	FEMALE THREAD	CATALOG NO. PLUG	CATALOG NO. COUPLER
CD3	3/8"	3/8" NPTF	P3-21	CD3-21
CD4	1/2"	3/4"-16 UNF (ORB) 7/8"-14 UNF (ORB) 1/2" NPTF 3/4" NPTF	P4-8 P4-10 P4-26 P4-31	CD4-26

PERFORMANCE SPECIFICATIONS

RATED OPERATING PRESSURE:	3,000 PSIG
BURST PRESSURE:	12,000 PSIG
RATED FLOW:	12 GPM
TEMPERATURE RANGE:	-40° F TO 225° F

TOMCO COUPLE UNDER PRESSURE

Specially designed double valving permits coupling at full system pressure. Either or both coupler or plug may be pressurized. Valves open automatically when the system is operated. Double acting sleeve fits standard agricultural mounting clamps and bulkheads. Series CU sleeves are heat treated for long durability with chrome alloy steel locking balls. All major load bearing and wear components are heat treated for rugged service and are heavily plated for superior corrosion resistance. Series CU couplers fit Tomco PC4 Series (Pioneer style) plugs.

SERIES CU PIONEER INTERCHANGE



PLUG

COUPLER

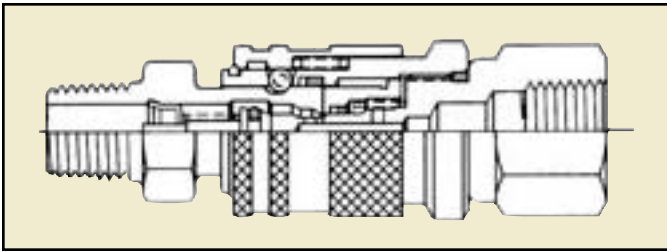
SERIES	SIZE	FEMALE THREAD	CATALOG NO. PLUG	CATALOG NO. COUPLER
CU4	1/2"	3/4"-16 UNF (ORB) 7/8"-14 UNF (ORB) 1/2" NPTF 3/4" NPTF	P4-8 P4-10 P4-26 P4-31	CU4-26

PERFORMANCE SPECIFICATIONS

RATED OPERATING PRESSURE:	3,000 PSIG
BURST PRESSURE:	12,000 PSIG
RATED FLOW:	12 GPM
TEMPERATURE RANGE:	-40° F TO 225° F

Diagnostic Test Port Quick-Couplers

TOMCO Series DK. Double Shut-Off



TOMCO Series DK diagnostic test port couplers are designed for permanent hydraulic system installation to provide an easy and convenient means of connection with pressure gauges, temperature sensors and other diagnostic instruments. The convenient flush face style design reduces spillage and inclusion during coupling. Tomco DK Series plugs are precision machined from high tensile steel, and tempered for superior performance.

The DK Series couplers include chrome steel locking balls, heat treated locking sleeves, and nitrile seals with Teflon back-up rings for continuous service at pressures up to 6,000 psi.

FEATURES:

HIGH STRENGTH PLUGS

MINIMUM SPILL DESIGN

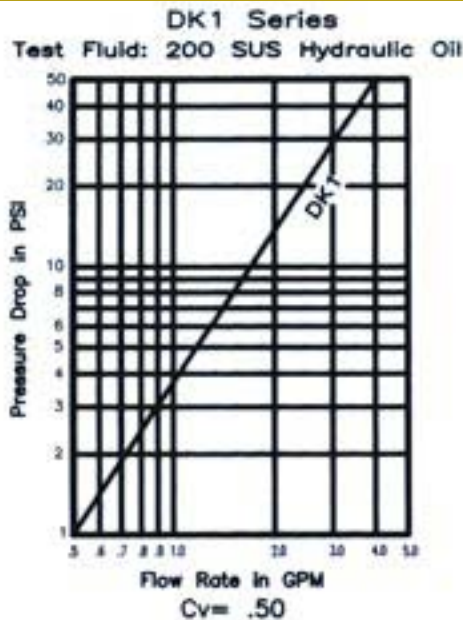
TEFLON BACK-UP RINGS

HEAVY DUTY HEAT TREATED LOCKING MECHANISMS

Series DK Performance Specifications:

RATED OPERATING PRESSURE:	6,000 PSIG
BURST PRESSURE:	30,000 PSIG
RATED FLOW:	1.0 GPM (4 GPM MAX.)
Cv:	.50
VACUUM RATING:	28 IN/HG
AIR INCLUSION:	.02 CC
SPILLAGE:	.10 CC
TEMPERATURE RANGE WITH STANDARD NITRILE SEALS: -40° TO +225° F	

FLOW RATE



DUST CAP	
	Part No.
	DK1C

TOMCO Double Shut-Off Diagnostic Couplers

SERIES DK

DIAGNOSTIC COUPLERS



FEMALE THREAD	Catalog No.	Catalog No
1/8" NPTF 1/4" NPTF	KP1-11 KP1-16	KC1-11 KC1-16

MALE THREAD	Catalog No.	Catalog No
1/8" NPTF 1/4" NPTF	KP1-10 KP1-15	- KC1-15

MALE O.R.B.	Catalog No.
7/16 - 20 9/16 - 18	KP1-4 KP1-6

Dimensions - All dimensions are in inches

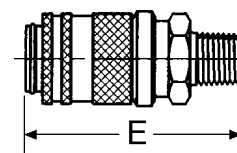
PART NO.	A FEMALE NPTF	B HEX SIZE	C
KP1-11 KP1-16	1/8" 1/4"	.56 .75	1.49 1.61

PART NO.	A FEMALE NPTF	B HEX SIZE	D	E
KC1-11 KC1-16	1/8" 1/4"	.81 .81	.96 .96	1.67 2.12

PART NO.	A MALE NPTF	B HEX SIZE	C
KP1-10 KP1-15	1/8" 1/4"	.69 .69	1.58 1.52

PART NO.	A MALE NPTF	B HEX SIZE	D	E
KC1-15	1/4"	.81	.96	2.26

PART NO.	A MALE ORB	B HEX SIZE	C
KP1-4 KP1-6	7/16 - 20 9/16 - 18	.69 .69	1.56 1.38



TOMCO STRAIGHT THROUGH

SERIES ST

INDUSTRIAL INTERCHANGE

Working Range:
See Pressure Chart Below
Temperature: -40° to +225° F



PLUG



MANUAL COUPLER

Straight Through or "Full Flow" couplers are non-valved and are usually applied in liquid systems needing maximum flow with no restrictions. Some typical applications are in chemical processing, pressure wash, plastic mold coolant lines, on water manifolds, food processing and other liquid handling applications where shut-offs are not needed and full flow is advantageous.

Body Size	Plug	Plug	Coupler	Coupler
	MALE PIPE	FEMALE PIPE	MALE PIPE	FEMALE PIPE
BRASS				
1/8"	SP1M	SP1	ST1M	ST1
1/4"	SP2M	SP2	ST2M	ST2
3/8"	SP3M	SP3	ST3M	ST3
1/2"	SP4M	SP4	ST4M	ST4
3/4"	SP6M	SP6	ST6M	ST6
1"	SP8M	SP8	ST8M	ST8
1-1/4"	SP10M	SP10	-	ST10
1-1/2"	SP12M	SP12	-	ST12
STAINLESS STEEL				
1/8"	SP1M-303	SP1-303	ST1M-303	ST1-303
1/4"	SP2M-303	SP2-303	ST2M-303	ST2-303
3/8"	SP3M-303	SP3-303	ST3M-303	ST3-303
1/2"	SP4M-303	SP4-303	ST4M-303	ST4-303
STEEL				
1/8"	SP1M-S	SP1-S	-	-
1/4"	SP2M-S	SP2-S	-	-
3/8"	SP3M-S	SP3-S	-	-
1/2"	SP4M-S	SP4-S	-	-
3/4"	SP6M-S	SP6-S	-	-
1"	SP8M-S	SP8-S	-	-
1-1/4"	-	-	-	-
1-1/2"	SP12M-S	SP12-S	-	-

Size	Brass Coupler Steel Plug	Brass Coupler Brass Plug	Stainless Coupler and Plug	Materials
1/8"	2600	2500	4200	Coupler: Brass or 303 Stainless
1/4"	5500	5200	6700	
3/8"	3500	2700	5500	Plug: Steel, Brass or 303 Stainless
1/2"	2700	2200	3000	
3/4"	1700	1700	1700	Seals: Standard for ST series is Nitrile. Viton and EP also Available.
1"	2000	1200	1700	
1-1/4"	2700	1700	2200	Component Parts: Locking Balls; Stainless Sleeve Springs; Stainless
1-1/2"	2200	1400	2500	
COUPLER'S MINIMUM BURST PRESSURE = APPROXIMATELY 4 X WORKING PRESSURE				