

Model 690

Electronic Lube Meter Pistol Grip Type

Technical Brief

GENERAL

The Badger electronic lube meter is designed specifically to dispense motor oils (S.A.E. 5-50), gear oils (S.A.E. 80-240), automatic transmission fluid, and antifreeze (Ethylene Glycol) solution. Perfect balance, lightweight, ruggedness, and comfortable grip make it the best choice for overhead reel systems.

The electronic register module contains a microprocessor board powered by a Lithium battery with an expected life of 3 to 5 years depending on use. It can be programmed to dispense in pints, quarts, liters, or gallons and will totalize in liters or gallons. A calibration factor and unit of measure are programmed during factory test. Unlike mechanical meters, these units can be electronically recalibrated in the field when necessary. A 5-digit liquid crystal display, accurate to the second decimal place, shows the exact amount of fluid dispensed. The entire register module is protected from the wear and tear of normal shop use by a rugged, glass filled, shock resistant, nylon housing.

OPERATION

As fluid passes through the metering chamber by entering the inlet port, it displaces the piston and exits through the outlet port. Each oscillation of the piston displaces a given volume of fluid. Controlled clearances between the piston and chamber wall insure minimum leakage. As the piston oscillates, its center hub rotates a magnet which activates the microprocessor.

Depressing the RESET button before each use resets the totalizer to zero. Squeezing the trigger handle dispenses the fluid.

The total amount of fluid dispensed from inventory can be checked periodically by depressing the TOTAL button. If the units dispensed are pints, quarts, or gallons, the totalizer will read in gallons. If the units dispensed are liters, the totalizer will read in liters.

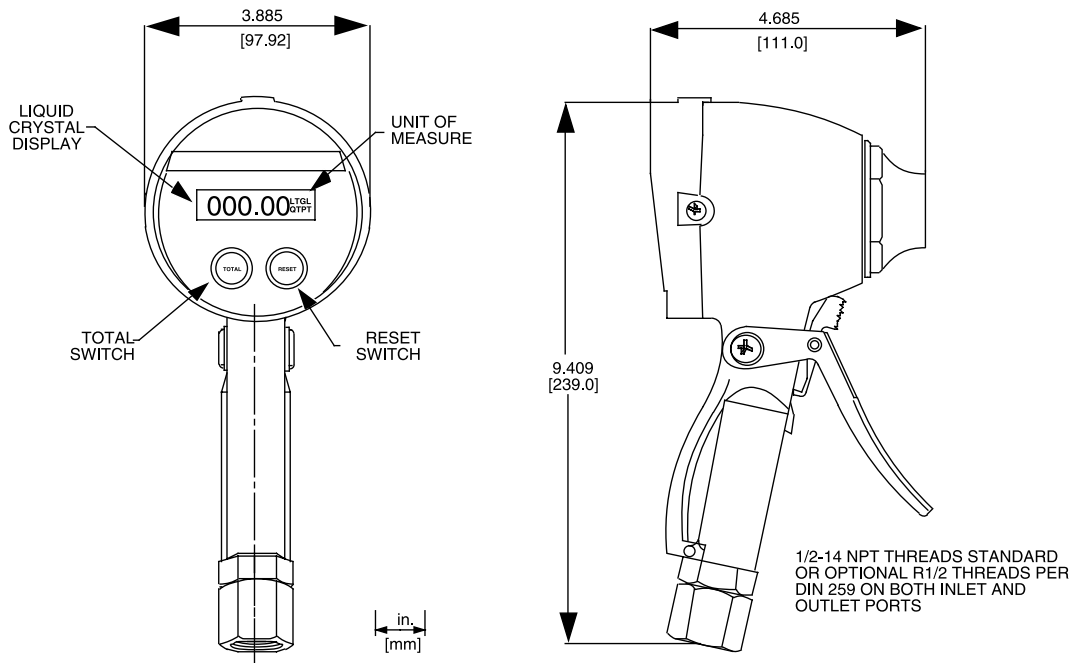


FEATURES

- Large LCD Display
- Two Decimal Point Precision
- Push Button Calibration
- Totalization in Gallons or Liters
- Delivery in Pints, Quarts, Liters, or Gallons
- Fewer Moving Parts To Help Reduce Maintenance Costs
- Improved Accuracy up to 0.4%
- Low Battery Indicator
- Replaceable Battery
- Battery Shelf Life — 10 Years
- Humidity and Moisture Resistant Register



Dimensional Drawing



SPECIFICATIONS

	English	Metric
Maximum Flow*	4 gpm	15 liters/minute
Minimum Flow*	0.25 gpm	0.95 liters/minute
Operating Pressure (Maximum)	1500 psi	100 bar
Operating Pressure (Minimum)	5 psi	.35 bar
Operating Temperature (Maximum)	110° F	45° C
Operating Temperature (Minimum)	-10° F	-20° C
Accuracy (Non-approved Version)	±0.5%	±0.5%
Accuracy (Approved Version)	±0.4%	±0.4%
Weight	3 lbs.	1.36 Kg.
5-Digit LCD Display, 5/16" High	Pints-Quarts-Gallons	Liters
Inlet and Outlet Connections	1/2" NPTF	1/2" BSPP

*Tested with Mobil DTE-25 motor oil at ambient temperature. Min.-Max. flow rates will vary with fluid viscosity.



BadgerMeter, Inc.

P.O. Box 245036 Milwaukee, WI 53224-9536
 Telephone: (414) 355-0400
 Fax: (414) 355-7499

Due to continuous research, product improvements and enhancements, Badger Meter reserves the right to change product or system specifications without notice, except to the extent that an outstanding bid obligation exists.
 Copyright© 2000 Badger Meter, Inc. All rights reserved.
 Badger Meter, Inc.-Milwaukee is certified to ISO 9001 by TÜV.